



With this notification of change we inform you about a product optimisation in our standard hoods of DG50MS series.

## Affected Products:

- **DG50MS, DG50MS-2, DG50MSX** and all derivatives (M3-locking, Kits, specials).

With introduction of this optimisation, the drawing index of each article concerned will change.

## Description of the product change:

- Optimised casting geometry for backshell and cover.
- Upper handle noses removed.
- Clearance for Inotec coding system.

Please find further details in the separate comparative drawings:

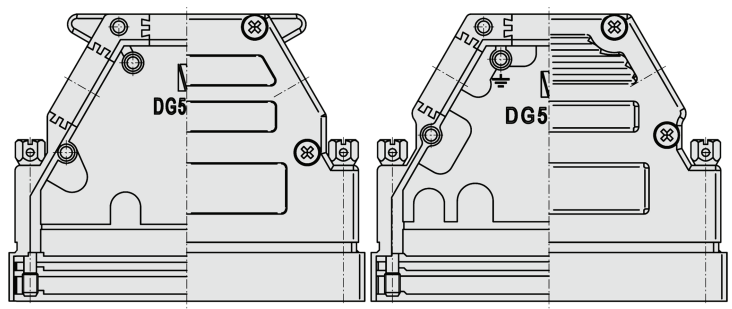
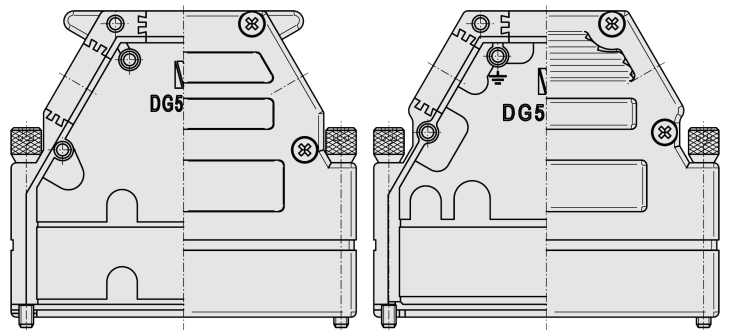
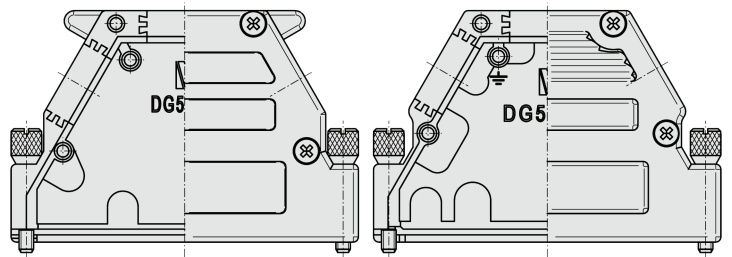
- DG50MSg-former-revised-a.pdf
- DG50MS-2g-former-revised-a.pdf
- DG50MSXg-former-revised.pdf

## Impact on product properties:

- 30° cable entries can be combined with DKS207 cable clamps.
- Standard compatibility with Inotec coding system.

former

revised



No impact on product functionality compared to previous versions.

Please note that backshells and covers with different drawing indices may not be combined.

Our sales department will inform you about current drawing index and the schedule control.