

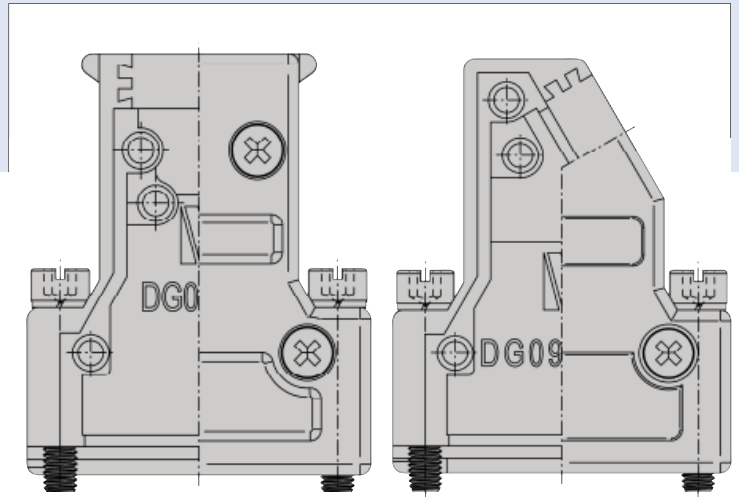


With this notification of change we inform you about a product optimisation in our standard hoods with 4-40 UNC screw locking.

Affected Products:

- Standard hoods with 4-40 UNC screw locking, Type **MS-80** / **MS-1-80** (all sizes).

With introduction of this optimisation, the drawing index of all affected items will change.

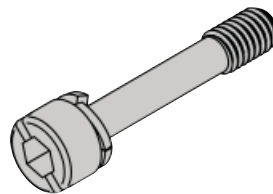


Description of the product change:

Change of the locking screw material.

- Old: Steel, nickel-plated
- New: Nickel-plated brass alloy

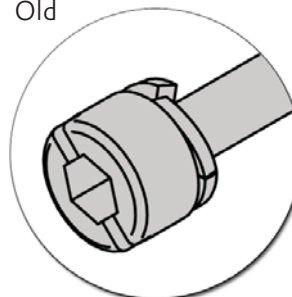
IN 40-40x17,3



Impact on product properties:

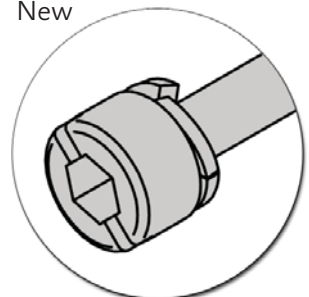
- Increased tensile strength
- Improved corrosion resistance
- Minimisation of magnetic content
- Long-term assurance of RoHS conformity

Old



Fe (Ni)

New



CuZn (Ni)

Impact of change on product functionality and compatibility: none.

Our sales department will inform you about current drawing index and the schedule control.