

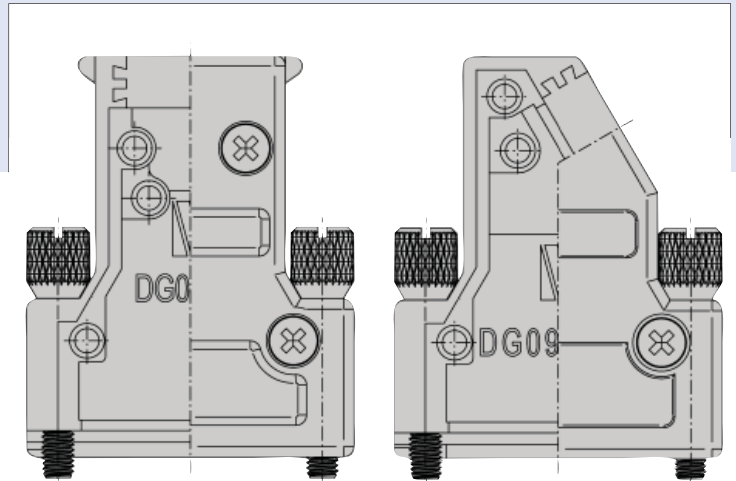


With this notification of change we inform you about a product optimisation in our standard hoods with 4-40 UNC screw locking.

Affected Products:

- Standard hoods with 4-40 UNC screw locking, Type **MS / MS-1** (all sizes).

With introduction of this optimisation, the drawing index of all affected items will change.

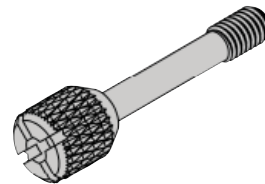


Description of the product change:

Change of the locking screw material.

RS4-40x17

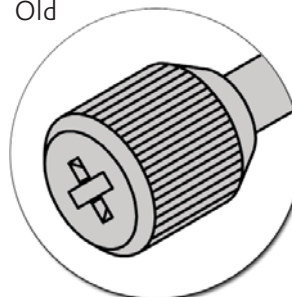
- Old: Steel, nickel-plated
- New: Nickel-plated brass alloy



Optimised head shape of the knurled locking screws.

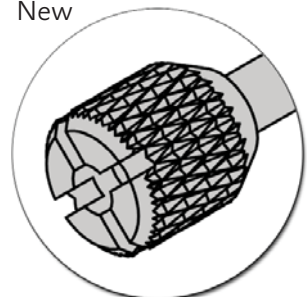
- Old: PZ1 / longitudinal knurl
- New: Universal cross slot / cross knurl

Old



Longitudinal knurl
PZ1
Fe (Ni)

New



Cross knurl
Universal cross slot
CuZn (Ni)

Impact on product properties:

- Increased tensile strength
- Improved corrosion resistance
- Minimisation of magnetic content
- Long-term assurance of RoHS conformity

Impact of change on product functionality and compatibility: none.

Our sales department will inform you about current drawing index and the schedule control.